

Systems Description

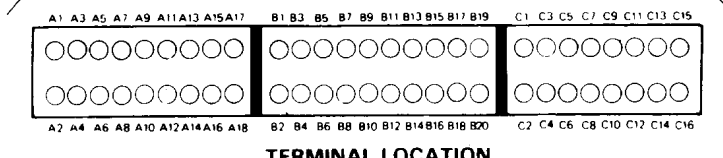
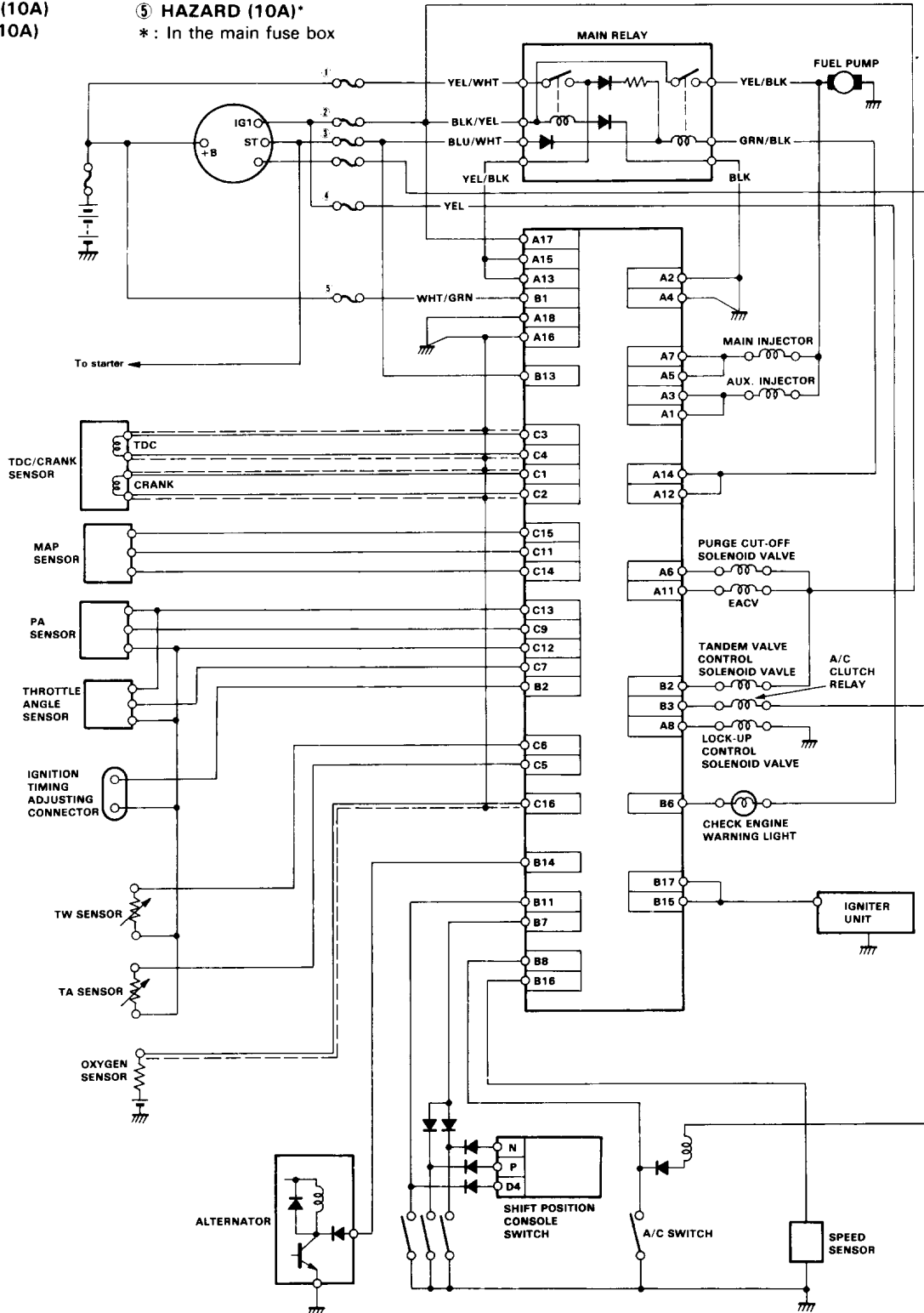


3-2

Electrical Connections [1.5 l]

FUSES

- ① ECU (15A)*
 - ② No.14 (10A)
 - ③ No.2 (10A)
 - ④ No.1 (10A)
 - ⑤ HAZARD (10A)*
- * : In the main fuse box



TERMINAL LOCATION